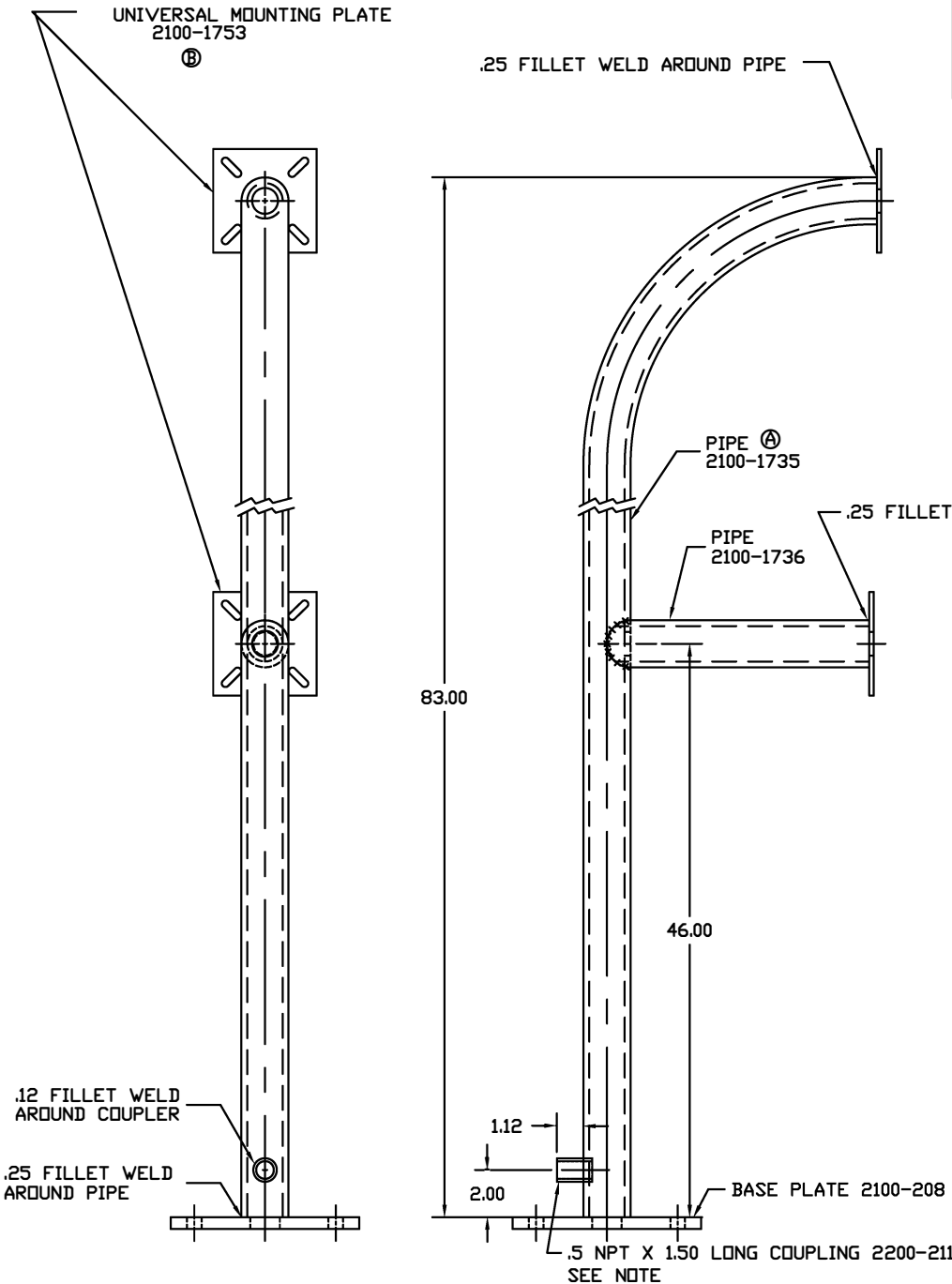


www.LinearGateOpeners.com | (800) 878-7829



NOTE: ENTRANCE FEED CAN BE EITHER THROUGH THE COUPLING SUPPLIED, OR IF DESIRED, UNDER GROUND THROUGH THE BASE PLATE.

UNLESS OTHERWISE SPECIFIED DIMENSIONS ARE IN INCHES TOLERANCES FRACTIONS ± 1/32 ANGLES ± 1° 2 PLACE DECIMALS ± .015 3 PLACE DECIMALS ± .005		CUSTOMER		OSCO	
PART. PROC.		PROJECT			
		BY	DATE	SIZE	FURTHER DWG. NO.
		PREPARED	JJ 11-30-99	C	
		CHECKED			2120-428
NEXT ASSY.		APPROVED		SCALE	NONE
				REV.	
				SHEET	OF